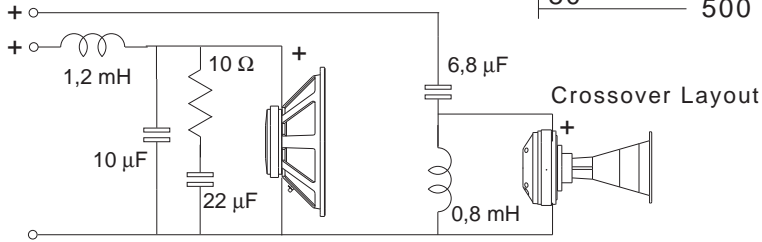
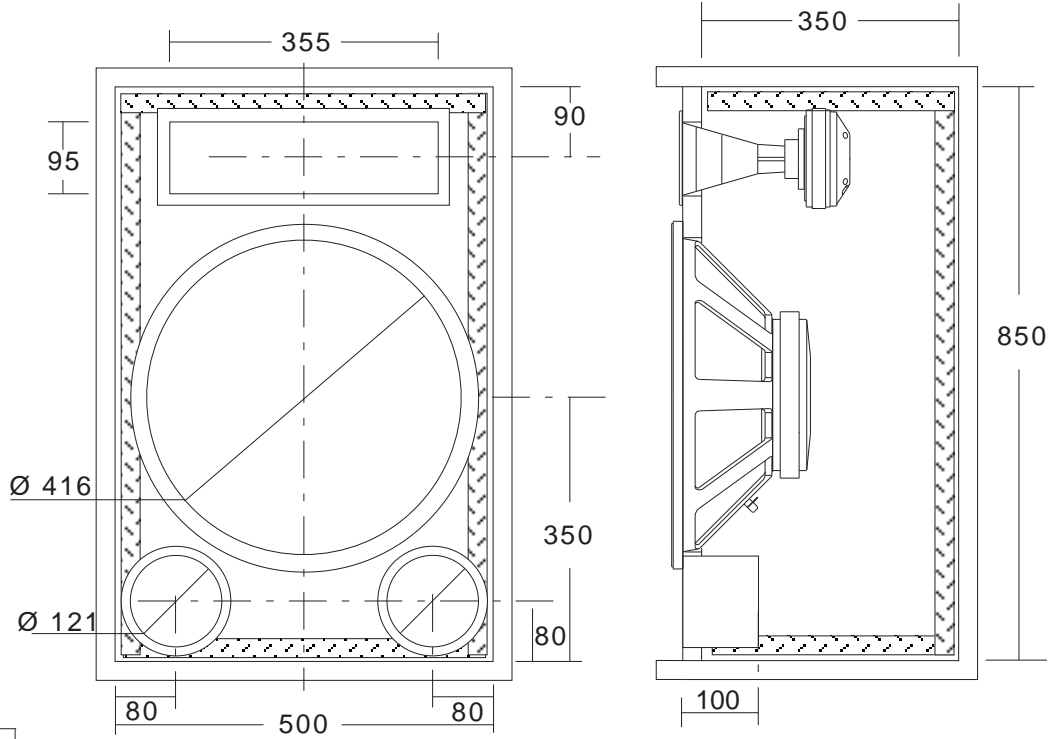


# PR060 TWO WAYS REFLEX MONITOR



COMPONENTS	
L F	18.75 W
H F	1.44 CD2
Horn	PR 380
Max Power	800 W
Nominal Power	400 W
Impedance	8 Ω

## SPECIFICATIONS

Sensitivity 1W/1m	:	100	dB
Net volume Vb	:	120	dmc
Tuning Frequency Fb	:	45	Hz
Frequency range	:	60 ÷ 20000	Hz
Crossover Frequency	:	1200	Hz

